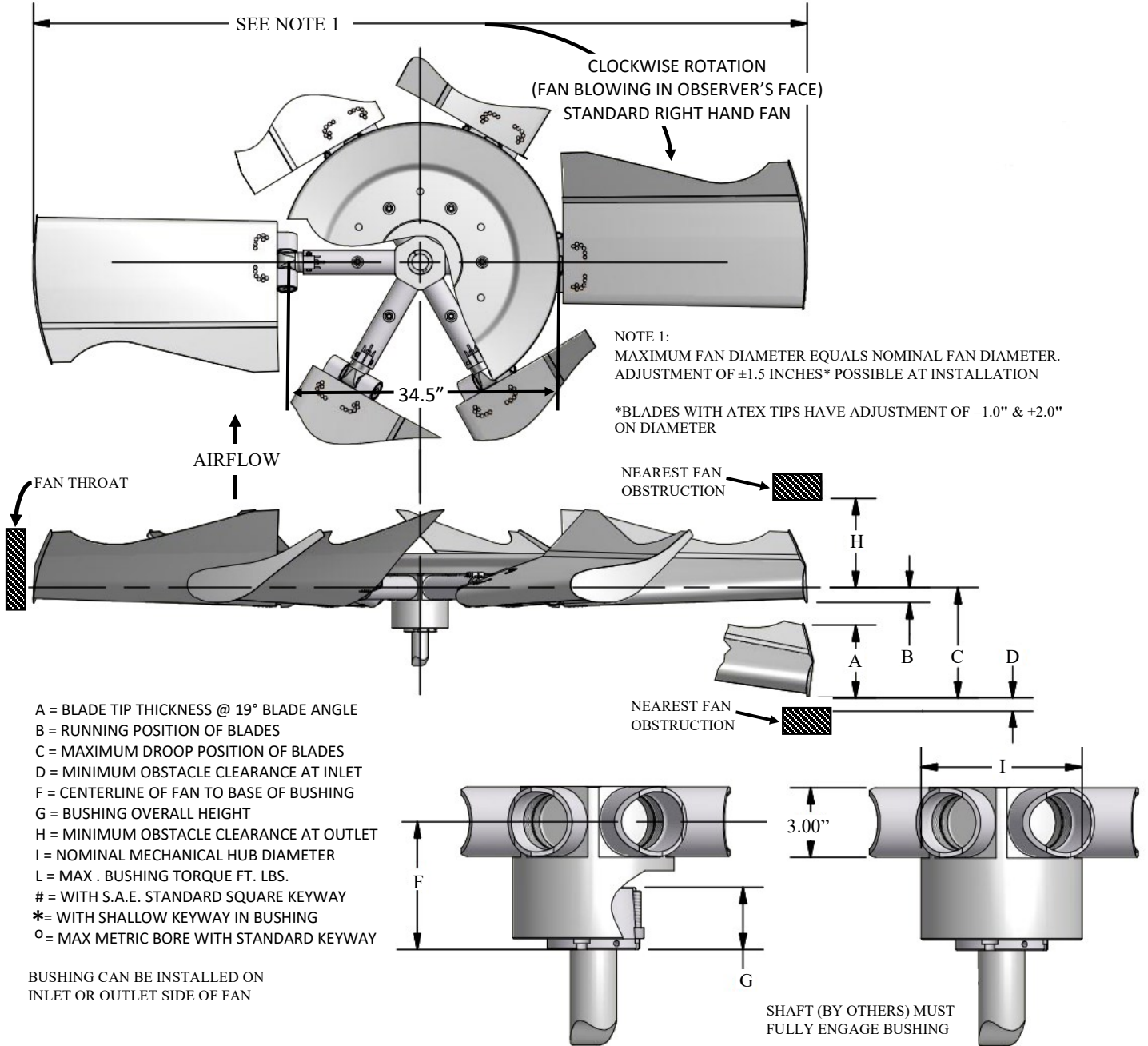
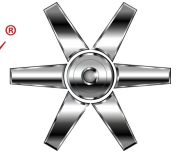


CLASS 10000 HD SERIES 36 EC

EXTENDED CHORD, EXTENDED HUB, RH ROTATION

Moore
FANS



WITH FAN OPERATING AT
12000 FT/MINUTE BLADE TIP SPEED

DIA	PERCENT BLADE LOADING					
	100%		75%			
	A	B	C	D	H	
6'	7.5"	4.5"	4.4"	4.9"	2.0"	14.0"
7'	7.5"	5.0"	4.8"	5.7"	2.0"	14.0"
8'	7.5"	5.6"	5.2"	6.6"	2.0"	14.0"
9'	7.5"	6.4"	5.8"	7.8"	2.0"	14.0"
10'	7.5"	7.3"	6.5"	9.2"	2.0"	14.0"
11'	7.5"	8.3"	7.3"	10.8"	2.0"	14.0"
12'	7.5"	9.5"	8.2"	12.7"	2.0"	14.0"

MAX BLADES	BUSHING TYPE	MAX # BORE	MAX * BORE	MAX o BORE	I	F	G	L
6	U	2.750"	2.938"	75	7"	5.5", 8.0" OR 12"	2.7"	4000
8	U	2.750"	2.938"	75	9"		2.7"	4000
8	W	3.750"	4.000"	100	9"		2.8"	7300
10	U	2.750"	2.938"	75	12"	5.5", 8.0", 12", 16", 20", OR 24"	2.7"	4000
10	W	3.750"	4.000"	100	12"		2.8"	7300